

3 Port PMI Circulator at 1550nm

Polarization Maintaining Insensitive

FEATURES:

- Up to 1W power handling
- Fiber Options at 1550nm

APPLICATIONS:

- Lasers
- R&D/instrumentation
- T&M Equipment

The Fiber Optic Circulator is a high performance lightwave component that routes incoming signals from port 1 to port 2, and incoming port 2 signals to port 3. These components provide high isolation, low insertion loss, low PDL, low PMD and good environment stability. This can be used in DWDM systems, Laser systems and high speed and bi-direction communication systems.

SPECIFICATIONS

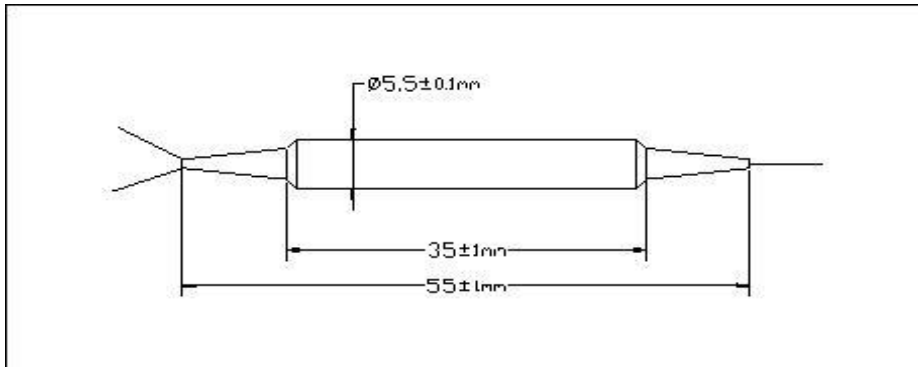
Parameter	Units	Values
Center wavelength (λ_c)	nm	1550
Operating wavelength range	dB	$\lambda_c \pm 20$
Typ. Insertion Loss	dB	0.7
Max. Insertion Loss	dB	1.0
Min. Isolation, 23 °C	dB	≥ 40
Typ. Isolation	dB	≥ 46
Max. Isolation	dB	52
Min. Return Loss	dB	≥ 55
Min. Crosstalk	dB	≥ 50
Max. Optical Power (CW)	W	1.0
Fiber type		SMF-28, 900um Loose
Tensile load	N	5
Operating Temperature	°C	-5 to +70
Storage Temperature	°C	-40 to +85
Compliance		GR-1221 Core qualified

Above specifications are for devices without connectors. The PM fiber and the connector key are aligned to the slow axis and fast axis is blocked. These devices are normally tested at max power of 1000mW.

Fiberlogix Intl Limited



Package Dimensions



ORDERING INFORMATION

Part No: FL-PMIHPCIR-15-1-01-N-L-1-FC/APC. 1W CW Power. All pigtails with 900um Loose tube. Length: 1.0m.

Wavelength: 1550nm. Package Type: Tube: 5.5 x 55mm.
Connectors: FC/APC on both sides.

Fiberlogix Intl Limited

Ashley House, Vale Industrial Park, Tolpits Lane, Watford, Herts WD18 9QP, United Kingdom
Tel: +44 (0)1923 777 766 Fax: +44 (0)1923 777 100 Email: sales@fiberlogix.com Web: www.fiberlogix.com